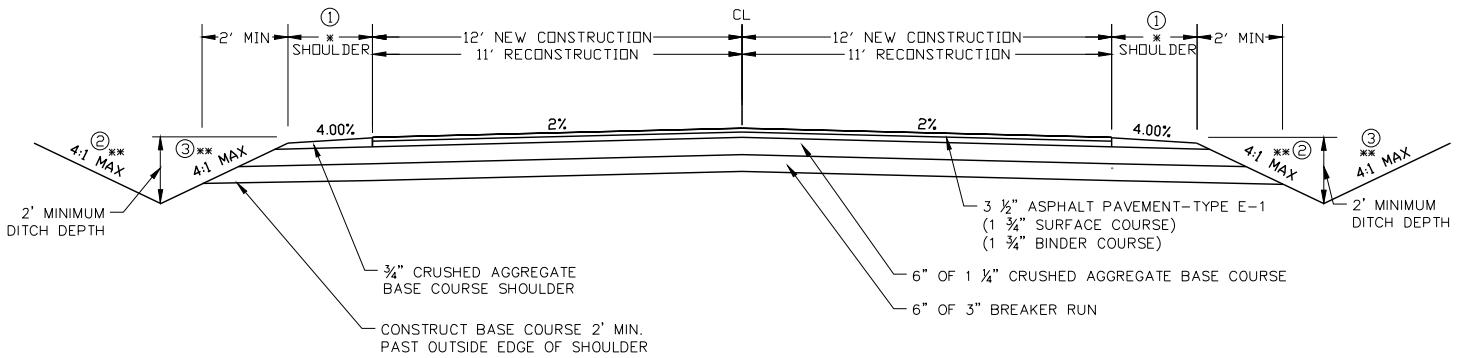
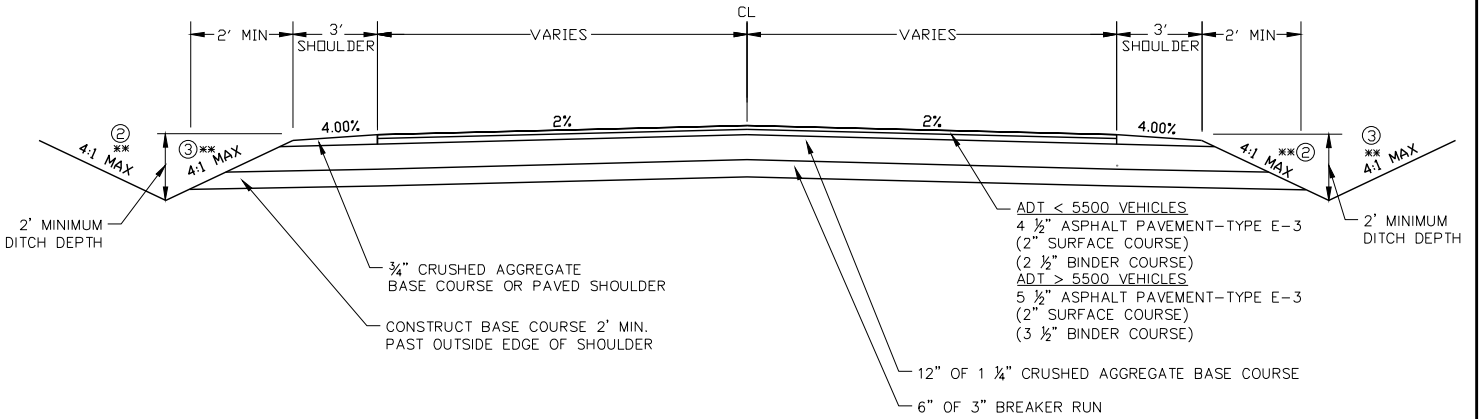


EXISTING TOWN STANDARD - RURAL SECTION ALTERNATIVES



**TYPICAL SECTION – RESIDENTIAL STREET
WITHOUT CURB AND GUTTER–ALTERNATIVE R1**



**TYPICAL SECTION – COMMERCIAL STREET
WITHOUT CURB AND GUTTER–ALTERNATIVE R2**

SHOULDER AND DITCH NOTES

- *① SHOULDER WIDTH SHALL BE 2' MINIMUM ON ALL RESIDENTIAL STREETS. SHOULDER WIDTH SHALL BE 3' ON ALL COLLECTOR AND ARTERIAL ROADWAYS.
- **② SIDE SLOPES SHALL BE AT A MAXIMUM 4:1, UNLESS APPROVED BY THE TOWN ENGINEER
- **③ LONGITUDINAL DITCH SLOPE SHALL BE A MINIMUM OF 1'/100' OR 1.0%, UNLESS APPROVED BY THE TOWN ENGINEER.

Cedar
corporation

1496 Bellevue Street, Suite 502
Green Bay, WI 54311

engineers • architects • planners
environmental specialists • land surveyors
landscape architects • interior designers

920-491-9081
800-472-7372
FAX 920-491-9020
www.cedarcorp.com

TOWN OF BUCHANAN		
TOWN STANDARD RURAL TYPICAL SECTIONS		
DATE: 2-2-2018		SHEET NO. 1
PREPARED BY: JJK		
CHECKED BY: TMM		